



HELIOS · PREISSER



BEST OF

HELIOS-PREISSER SELECTED PRODUCTS

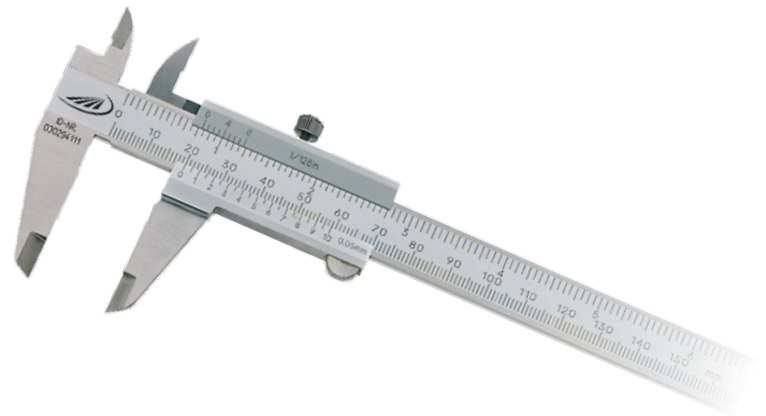
In Germany at home - in demand worldwide

EN

www.helios-preisser.de

2019/2020

Valid from 01.07.2019 to 30.06.2021



Pocket vernier caliper SOFT-SLIDE

Model

- Smooth running due to twice lapped guide surface
- Stainless steel
- Hardened measuring faces
- DIN 862
- Inside cross points
- Setting screw
- Low-set master scale
- Four way measurement
- Thread table

SOFT-SLIDE
Smooth running

Measuring range		Jaw length		Reading		Error limit	Depth gauge	Order No.	Price EUR
mm	inch	mm	inch	mm	inch	mm			
150	6	40	1,57	0,05	1/128	0,05	rect.	0197 501	33.00
200	8	50	2,0	0,05	1/128	0,05	rect.	0197 505	75.00
300	12	60	2,4	0,05	1/128	0,05	none	0197 508	149.00

Delivery in imitation leather case

Universal pocket caliper POCKET - TALENT

Flexible applications for all current measuring inserts for digital indicators with standard threads M2,5 - internal and external.



Model

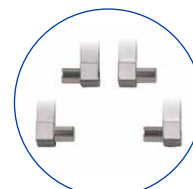
- Protection class IP67
- Stainless steel
- Factory standard
- LCD display 7,5 mm
- **For internal and external measurements**
- Individually adaptable on problematic tasks through measuring inserts with thread M2.5

Functions

- **Quick-Start**
- **Quick-Lock** (Key lock)
- Set to zero at any point
- mm / inch switching
- PRESET (setting a numerical value)
- variable data output RS 232 + Digimatic + USB

Measuring range		Jaw length		Reading		Order No.	Price EUR
mm	inch	mm	inch	mm	inch		
150	6	40	1.57	0,01	.0005	1326 932	359.00

Delivery in wooden case



0710161



0710177

Measuring inserts included

DIGI-MET® Pocket calipers



~~159.80€~~
123.00€



Video
electronic



~~148.00€~~
83.00€

Measuring range		Jaw length		Reading		Error limit	Depth gauge	Order No.
mm	inch	mm	inch	mm	inch	mm		
150	6	40	1.57	0.01	.0005	0.03	Ø 1.5 mm	1326 416
150	6	40	1.57	0.01	.0005	0.03	eckig	1326 417

Delivery in plastic case



Model

- Inductive measuring system
- four way measurement
- LCD display 11 mm
- DIN 862
- Stainless steel
- Setting screw
- Inside cross points

Functions

- QuickStart
- QuickLock
- Set to zero at any point
- mm/inch switching
- PRESET (setting a numerical value)

Measuring range		Jaw length		Reading		Error limit	Depth gauge	Best. Nr.
mm	inch	mm	inch	mm	inch	mm		
150	6	40	1.57	0.01	.0005	0.03	Ø 1.5 mm	1320 416
150	6	40	1.57	0.01	.0005	0.03	rect.	1320 417

Delivery in plastic case

Additional depth measuring base

Model

- Stainless steel
- Bridge length: 75 mm
- Dimensions: 75 x 6.5 mm



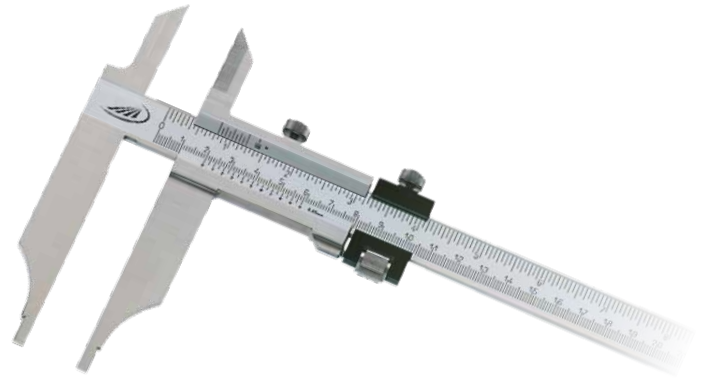
Order No.	Price EUR
0220 705	22.40



Workshop caliper

Model

- Stainless steel
- Vernier satin chrome finished
- DIN 862
- Locking screw
- Knife points
- Fine adjustment
- Low-set master scale
- Stepped jaws: 20 mm (10 mm at 0235 203)



Measuring range		Jaw length		Reading		Error limit	Order No.	Price
mm	inch	mm	inch	mm	mm			EUR
0 - 300	0 - 12	90	3.5	0.05	0.05		0235 203	168.00
0 - 500	0 - 20	150	6.0	0.05	0.07		0235 208	471.00
0 - 800	0 - 31	150	6.0	0.05	0.10		0235 214	619.00

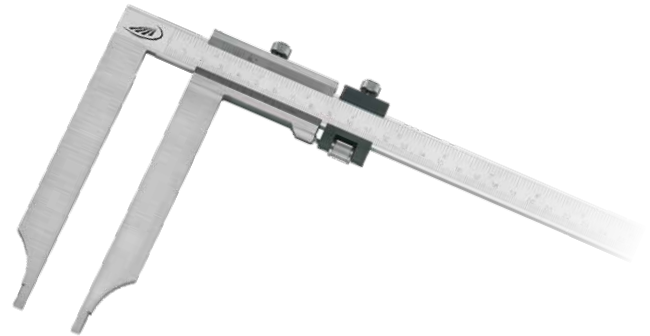


Delivery in cardboard box

Workshop calipers with long measuring jaws

Model

- Stainless steel
- Vernier satin chrome finished
- Factory standard
- Locking screw
- Fine adjustment
- Low-set master scale
- Stepped jaws: 20 mm (10 mm at 0237 204)



Measuring range		Jaw length		Reading		Error limit	Order No.	Price
mm	inch	mm	inch	mm	mm			EUR
0 - 300	0 - 12	150	6.0	0.05	0.10		0237 204	266.00
0 - 500	0 - 20	200	8.0	0.05	0.14		0237 209	517.00
0 - 800	0 - 31	200	8.0	0.05	0.20		0237 215	737.00

Delivery in cardboard box

DIGI-MET® digital workshop caliper

Model

Functions

- inductive measuring system, protection class IP65
- DIN 862
- Knife points
- Stepped jaws: 20 mm (10 mm at 1341 522)
- Stainless steel
- Fine adjustment
- Variable data output RS232 + Digimatic + USB
- QuickStart
- QuickLock
- PRESET
- mm / inch switching



Measuring range		Jaw length		Reading		Error limit	Order No.	Price
mm	inch	mm	inch	mm	inch	mm		EUR
0 - 300	0 - 12	90	3.5	0.01	.0005	0.03	1341 522	488.00
0 - 500	0 - 20	125	5.0	0.01	.0005	0.03	1341 528	878.00
0 - 800	0 - 31	150	6.0	0.01	.0005	0.04	1341 532	1165.00



Delivery in cardboard box

Digital external micrometers IP65 Linear



NEW



Model

- Reading: 0.001 mm / .00005 inch
- Protection class IP65
- Ratchet stop
- **Rapid adjustment**
- Sliding spindle
- Carbide measuring faces
- Factory standard

Funktionen

- **QuickStart**
- **QuickLock**
- ORIGIN (Preset value)
- Hold
- TOL (tolerance value input)
- variable data output
USB + Digimatic (1866)
- Bidirectional

From measuring range 25 mm upwards includes a setting standard

Measuring range		Pitch	Spindle dia.	Error limit	Order No.	Price
mm	inch					
0 - 25	0 - 1	5	6.5	0.002	1866 610	339.00
25 - 50	1 - 2	5	6.5	0.002	1866 613	389.00
50 - 75	2 - 3	5	6.5	0.003	1866 617	489.00
75 - 100	3 - 4	5	6.5	0.003	1866 620	529.00

Delivery in plastic case

Set of 3 point internal micrometers



Ausführung

- DIN 863-4
- Reading: 0.001 mm*
- Reading: 0.005 mm
- Hardened measuring faces
- Pitch: 0.5 mm
- Self centering measuring head with three anvils, offset at intervals of 120°
- Carbide tipped measuring pins from measuring range 12 mm
- Ratchet stop
- from measuring range 12 mm for through and blind holes
- from measuring range 40 mm, measuring heads are made of aluminium to reduce weight
- Calibration certificate for ring and micrometer



inclusive!

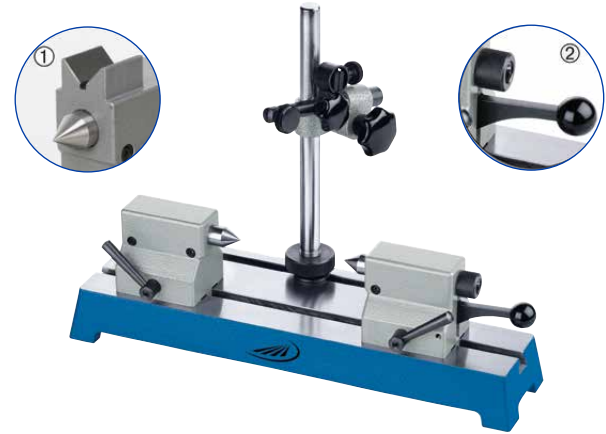
Measuring range	Thimble dia.	Number of devices	Order No.	Price
mm	mm	pcs.		EUR
6 - 12	16	3	1920 574*	1126.00
12 - 20	16	2	1920 576*	790.00
20 - 50	25	4	1920 578	1949.00
50 - 100	25	4	1920 580	2328.00

Lieferung im Kunststoffkoffer

Bench centres

Model

- Finely ground surface, flatness tolerance according to DIN 876-2
- Left tailstock with fixed centre
- Right tailstock with retractable spring mounted centre, free lift appr. 10 mm
- Tailstock can be clamped via an eccentric clamp 2)
- Tailstock height 75 mm with integrated V-groove support 1)



Height of centers mm	Workpiece load p. tailstock max. kg	Distance between centers mm	Center dia. mm	T-groove width mm	Base mm	Order No.	Price EUR
50	5	200	16	10H7	350 x 110	0780 101	605.00
75	5	350	16	10H7	500 x 110	0780 105	788.00

Delivery in cardboard box

DIGI-MET® Indicators

Model

- Aluminium housing
- Replacement probe tip M2.5
- Protection class IP42
- Display can be unit rotated through 280°
- Factory standard

Functions

- mm / inch Switching
- TOL (tolerance value input)
- MIN / MAX
- TIR (MIN-MAX differential)
- Reversal of counting direction
- Factor input
- Individual key lock
- variable data output RS 232 + Digimatic +USB
- PRESET



Measuring span mm	Resolution		Error limit Total span mm	Repeatability mm	Measuring force N	Order No.	Price EUR
	mm	inch					
12.5	0.001	.00005	0.004	0.001	0.65 - 0.9	1734 502	397.00
25	0.001	.00005	0.004	0.001	0.65 - 1.15	1734 506	455.00

Delivery in cardboard box

Dial test indicators

Model

- Carbide tipped measuring inserts Ø 2.0 mm
- Form A according to DIN 2270
- Revolving dial
- 3-piece swallow tail guide
- Automatic reversal of the counting direction
- Measuring force 0.15 N

Measuring force mm	Scale graduation value mm	One pointer revolution mm	Stylus length mm	Dial reading	Clamping shank dia. mm	Order No.	Price EUR
± 0.40	0.01	0.8	14.5	0-40-0	30.0	0715 101	80.00
± 0.25	0.01	0.5	41.2	0-25-0	30.0	0715 201	126.00
± 0.50	0.01	0.5	32.3	0-50-0	40.5	0715 307	160.00



Delivery in plastic case

Universal comparator gauge



Model

- To determine internal and external diameters of recesses, grooves and undercuts in comparison measurements
- Measuring procedure: The part to be measured is determined at the point of reversal between a fixed and moveable measuring insert
- Select either an analogue or digital indicator to show your measuring results
- Sturdy construction
- Simple to set up and easy to operate
- Large range of application
- Ideal for serial measurements
- Optional: Special supporting table is interchangeable
- Repeatability 2 µm
- Mounting hole for a dial gauge: Ø 8 mm

Measuring range internal mm	Measuring range external mm	Dimensions mm	Order No.	Price EUR
0 - 180	21 - 200	150 x 150 x 68	0739 102	1780.00

Delivery in aluminium case (without indicator)

Our universal comparator gauges offer maximal flexibility and are perfectly suitable for timesaving measurements in serial production. Thanks to the convenient accessories from our catalogue, you can adjust the devices according to your individual requirements.

Universal comparator gauge UHRTAST



Product video



Application examples



Measuring range up to 2000 mm

Model

- Comparator gauge for external and internal measurements for checking workpieces and setting machines
- Versatile in use due to wide range of probes and inserts
- Measuring range up to 2000 mm by using optional extensions
- The direction of measuring force can be switched, the gauge can be used for external and internal measurements
- The measuring range of the moveable measuring arm is 18 mm

Delivery

- The adjustment can be conducted with a setting gauge, a combination of gauge blocks, setting ring or micrometer
- Basic instrument without digital indicator, measuring arms and measuring probes

Measuring range external mm	Measuring range internal mm	Measuring force	Order No.	Price EUR
5 - 220	15 - 230	Außen: ~6 N Innen: ~4 N	0741 101	1862.00

Delivery in wooden case

You will find our whole product range in our latest metrology catalogue 2019 / 2020 and online at www.helios-preisser.de

Magnetic measuring and clamping prism

Model

- Flatness, parallelism and symmetry tolerance 0.004 mm
- Right-angled tolerance 0.01 mm
- Magnet can be switched ON/OFF
- Magnetic force 600 N
- Grinded in pairs



Dimensions mm	For shaft dia. mm	Order No.	Price EUR
Special steel, hardened			
71.5 x 45 x 70	2 - 40	0527 109	550.00
80 x 67 x 99	6 - 66	0527 110	858.00
100 x 67 x 96	6 - 70	0527 111	1111.00

Delivery in pairs in cardboard box

Double V-blocks (pairs) with clamp, lateral tilting

Model

- Hardened special steel
- Flatness, parallelism and symmetry tolerance 0.004 mm
- Right-angled tolerance faces to prism 0.01 mm
- 2 x 90° grooves
- Machined in pairs



Dimensions mm	For shaft dia. mm	Order No.	Price EUR
60 x 58 x 40	5 - 30	0524 101	225.00
75 x 70 x 54	5 - 30	0524 102	278.00
100 x 96 x 75	7 - 70	0524 103	418.00

Delivery in pairs in cardboard box

Straight edges made of stainless steel, accuracy grade 1

Model

- Stainless steel
- Finely ground surface
- Flatness of the testing face according to DIN 874
- rectangular cross-section



rectangular cross-section

Length mm	Cross-section mm	Order No.	Price EUR
500	40 x 8	0465 201	59.00
750	50 x 10	0465 202	91.00
1000	50 x 10	0465 203	164.00

Delivery in cardboard case

Set of feeler gauge tapes in wallholder



Model

- Width 12.7 mm
- Length 5 m
- from 0.08 mm upwards marked with dimension
- Wallholder refillable with selected feeler gauges

Delivery

- With holder and mounting fittings

Dimensions mm	Measuring range mm	Number of devices pcs	Order No.	Price EUR
Hardened carbon steel				
330 x 100 x 110	0.01 - 0.25	15	0611 180	155.00
330 x 210 x 220	0.3 - 1.0	15	0611 190	176.00
Stainless steel				
330 x 100 x 110	0.01 - 0.25	15	0612 180	203.00

Delivery in cardboard box

Feeler gauges, accuracy T3



Model

- Conical blades
- Width: 10 mm

Measuring range mm	Number of Blades	Order No.	Price EUR
0.1 - 0.4	6	0608 140	1.90
0.05 - 1.0	13	0608 143	4.60
0.05 - 1.0	20	0608 144	7.20
0.03 - 1.0	32	0608 149	16.60

Delivery in plastic case

Plug gauge set



Model

- DIN 2245
- Hardened gauge steel
- GO and NOGO

Number of devices	Fit	Nominal size dia. mm	Order No.	Price EUR
(3, 4, 5, 6, 8, 10, 12)				
7	H7	3 - 12	0637 190	148.00

Delivery in wooden case



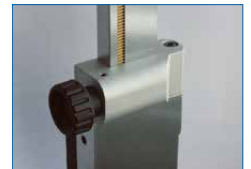
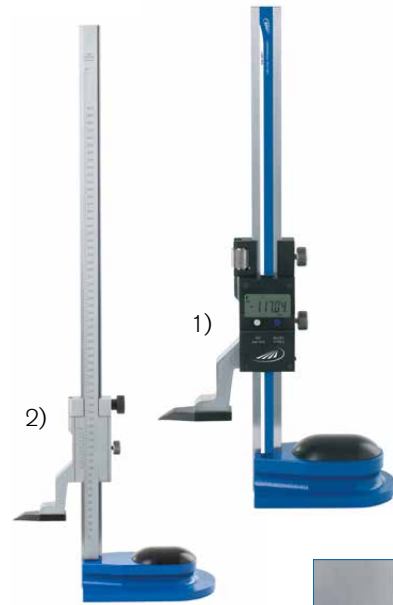
Height and scribing gauges

Model

- Measuring beam is made of stainless steel
- Vernier and scale satin chrome finished
- parallax-free reading
- Setting screw
- 1) Fine adjustment
- 2) Accurate fine adjustment on gear rack and setting with pinion
- Steel base with dirt grooves
- Scribing possible from base plate level
- Carbide tipped scriber 75 mm
- Factory standard

Functions (digital)

- Set to zero at any point
- mm / inch switching
- PRESET (setting a numerical value)
- Hold
- ABS (Display can be set to zero without losing the Preset value)
- Reversal of counting direction
- Factor input
- Data output Proximity USB + RS232
- LCD display 11 mm



2) Accurate fine adjustment on gear rack

Measuring range mm	Reading mm	Base dimensions mm	Rail cross-section mm	Order No.	Price EUR
Digital - with fine adjustment					
0 - 300	0.01	145 x 90 x 44	30 x 12	0345 722	562.00
0 - 600	0.01	189 x 118 x 44	30 x 12	0345 730	702.00
0 - 1000	0.01	189 x 118 x 44	30 x 12	0345 734	973.00
Analog - with pinion					
0 - 300	0.02	145 x 90 x 44	30 x 12	0347 522	497.00
0 - 600	0.02	189 x 118 x 44	30 x 12	0347 530	627.00
0 - 1000	0.02	189 x 118 x 44	30 x 12	0347 534	865.00

Delivery in cardboard box

Compact measuring stands

Model

- Cast iron base
- Chrom finished columns
- Hardened steel table
- with dirt grooves (0770102 non-stop plane)
- With mounting hole \varnothing 8 mm



Measuring height mm	Projection mm	Size of table mm	Column dia. mm	Arm dia. mm	Order No.	Price EUR
With fixed arm						
100	49	\varnothing 50	22	-	0770 102	176.00
With adjustable transverse arm						
100	100	60 x 68	22	18	0770 201	225.00
150	135	98 x 115	28	20	0770 205	349.00

Delivery in cardboard box

Squares with / without base



High-precision squares, accuracy grade 0, 1 or 2 in firsts class quality, with blade length up two meters. Optional in stainless or special steel

Model - selected examples

- DIN 875
- Accuracy grade 0
- for exact angle testing (for example: tool making)

Blade length mm	Cross-section mm	Order No.	Price EUR
Squares with base, special steel			
75 x 50	15 x 5	0368 102	16.00
150 x 100	25 x 5	0368 104	28.20
200 x 130	30 x 6	0368 105	36.20
300 x 200	40 x 8	0368 107	71.00
500 x 330	50 x 10	0368 109	225.00

Delivery in cardboard box

Blade length mm	Cross-section mm	Order No.	Price EUR
Squares without base, special steel			
75 x 50	15 x 5	0369 102	10.50
150 x 100	25 x 5	0369 104	14.50
200 x 130	30 x 6	0369 105	24.00
300 x 200	40 x 8	0369 107	42.50
500 x 330	50 x 10	0369 109	128.00

Delivery in cardboard box

Universal bevel protactor with magnifying lense



Model

- Setting screw
- Stainless steel
- Factory standard
- Fine adjustment
- parallax-free reading
- Hardened measuring faces
- Reading 5'
- Hardened beam

Measuring range	Blade length mm	Order No.	Price EUR
4 x 90 °	150	0422 501	151.00
4 x 90 °	200	0422 502	159.00
4 x 90 °	300	0422 503	168.00
4 x 90 °	500	0422 504	176.00

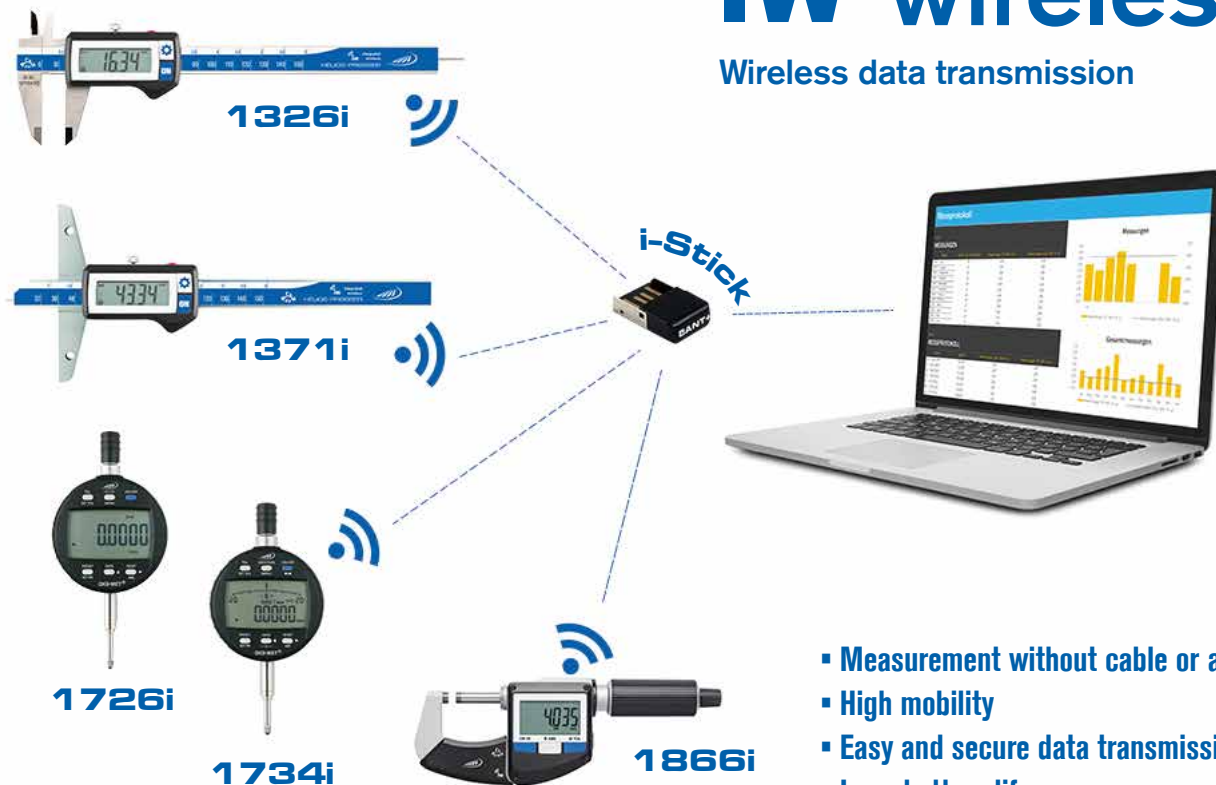
Delivery in wooden case



HELIOS · PREISSER

integrated IW wireless

Wireless data transmission



- Measurement without cable or additional modules
- High mobility
- Easy and secure data transmission
- Long battery life
- Attractive price

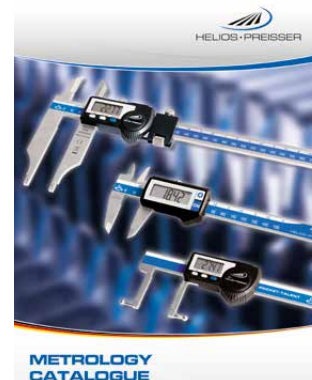
Discover HELIOS-PREISSER: The latest catalogue 2019 / 2020

- More than 3000 products
- Customisation according to your wishes
- Professional after-sales service and calibration

Order yours now:

HELIOS · PREISSER GmbH
Steinbeisstraße 6
D-72501 Gammertingen

☎ : +49 7574 400 - 60
☎ : +49 7574 400 - 91
✉ : vertrieb@helios-preisser.de



Online at
www.helios-preisser.de

000039600